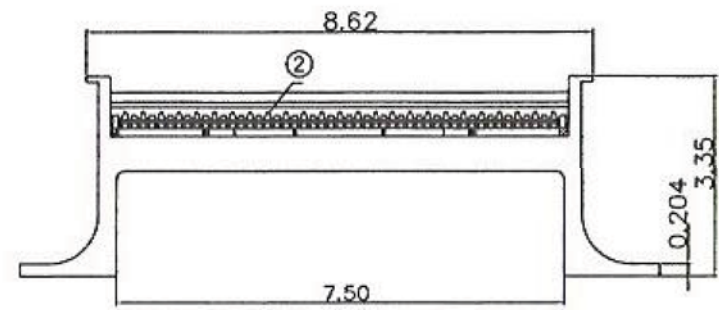
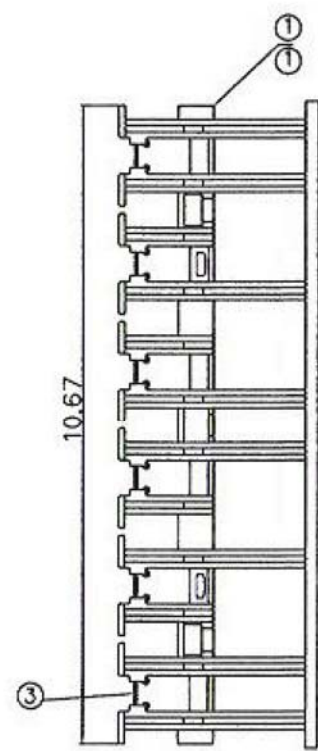
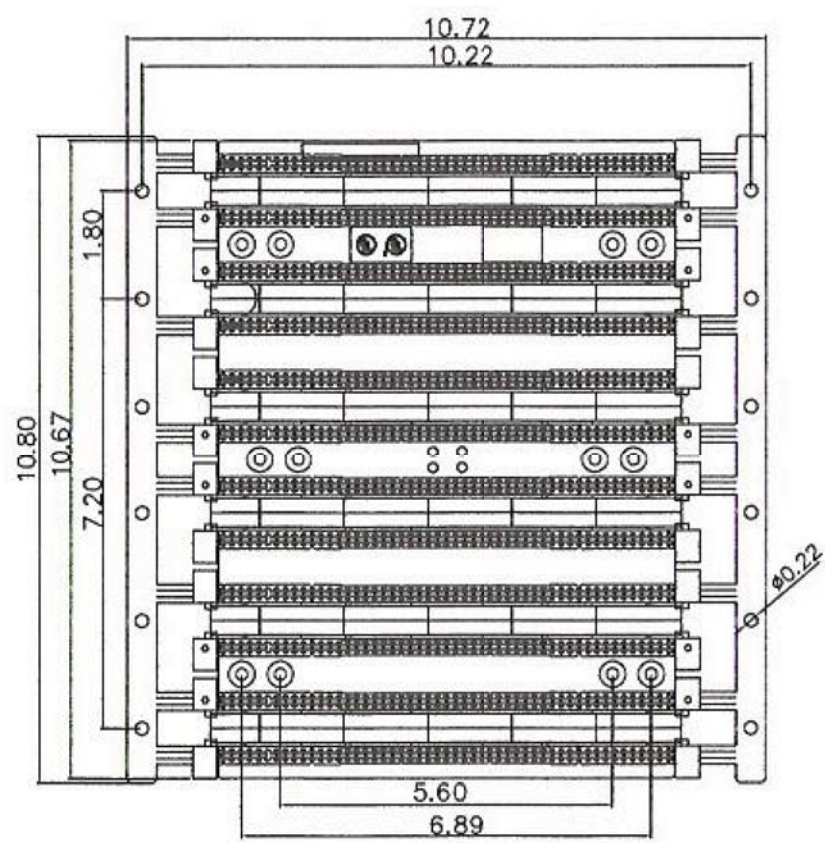


ZONE	REV.	DESCRIPTION	DATE	APPV.
-	A	INITIAL RELEASE	06/07/07	E.A.
A4	B	ITEM 2 WAS, 25 PR INSERT, 12, -. ITEM 1 WAS 110-300FT	02/25/2015	E.A.



ITEM	PARTS DESCRIPTION	QTY	P/N
1	300 PR BASE WITH LEG	1	110AWB-300
2	DESI STRIP-WHITE	6	110PS
3	INDEX HOLDER	6	110PH

ALL DIMENSIONS SHOWN ARE IN INCHES.			
NEXT ASSY: -	DRAWN: E.A. 06/06/2007	CHECKED: J.T.	
TITLE: 300-Pair w/Legs (w/o Cable Entries)		DWG. NO. 110AWB-300	REV. B