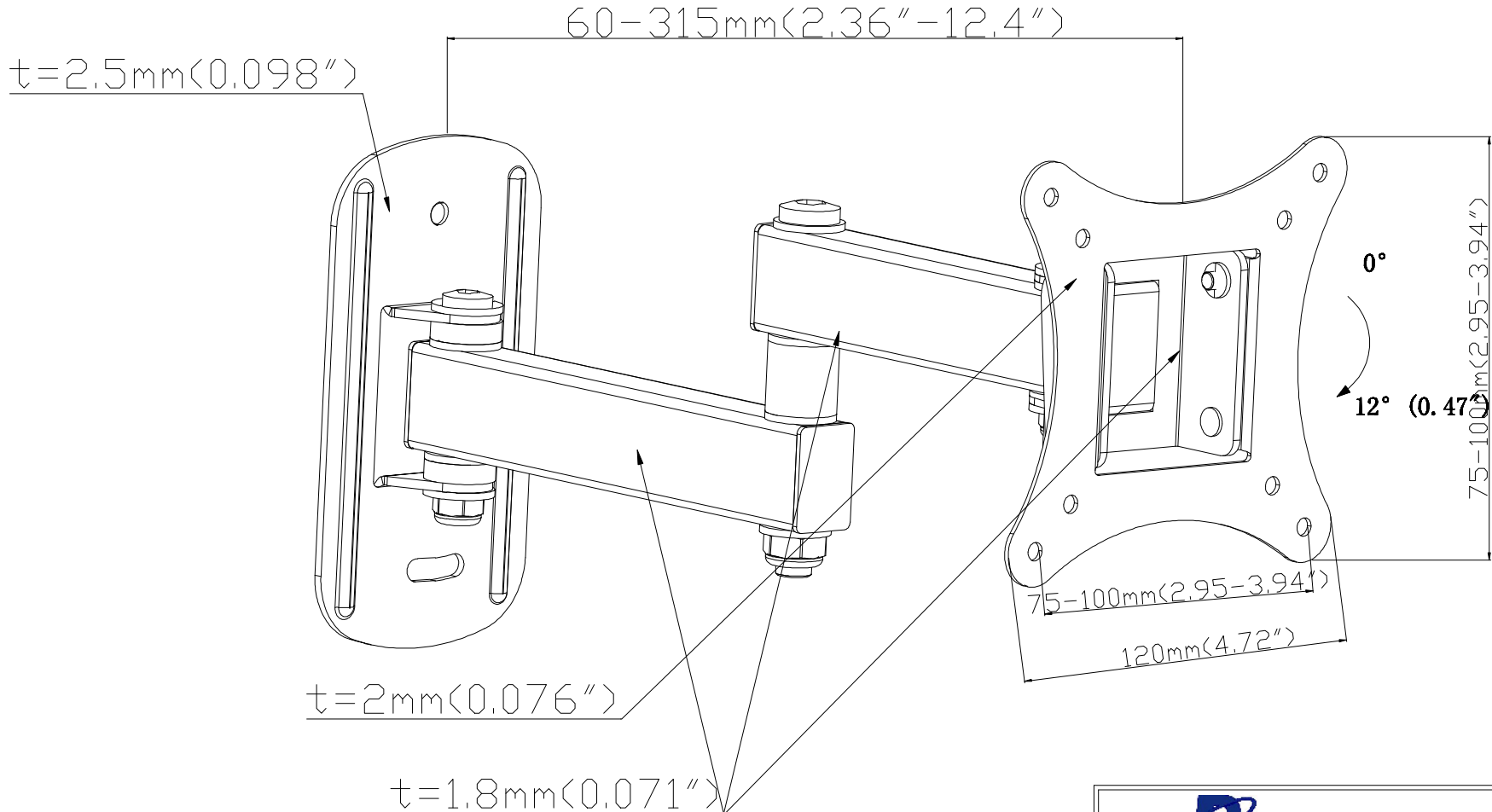


NOTE: ALL MATERIAL COMPLIANT ROHS STANDARD

REVISION INFORMATION

Rev.	Rev. Date	Modified By	Brief Description



NO.	PART NAME	SPECIFICATION DESCRIPTION	QTY	UNIT
③				
②				
①				

<b>DRAWN BY</b>	<b>DATE:</b> 2012/07/06	<b>DESCRIPTION:</b> XXXXXXXXXXXXXXXXXXXX
<b>CHECKED BY</b>	<b>SHEET</b> 1 of 1	<b>ITEM NO.</b> 502830
<b>APPROVED BY</b>	<b>SCALE</b> 1:1	<b>REV.</b> 00 <b>UNIT:</b> mm