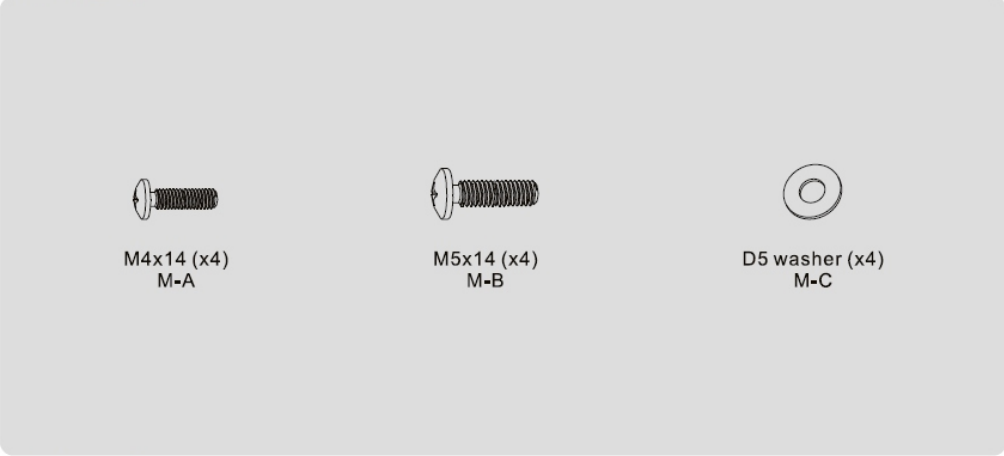


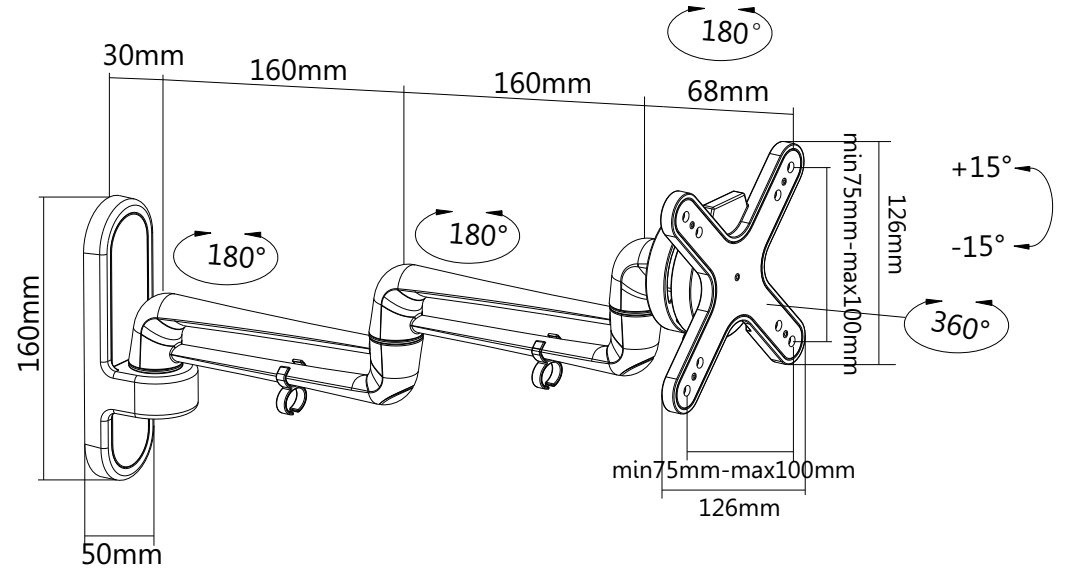
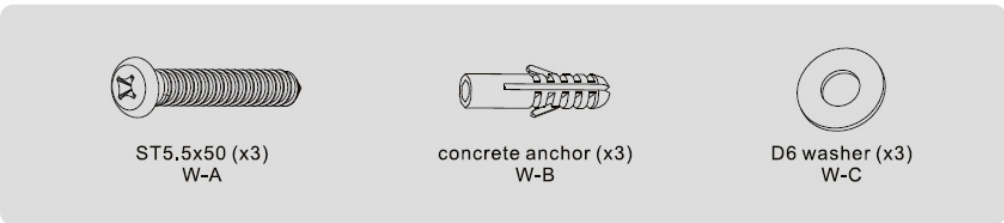
NOTE: ALL MATERIAL COMPLIANT ROHS STANDARD

REVISION INFORMATION			
Rev.	Rev. Date	Modified By	Brief Description

Package M



Package W



NO.	PART NAME	SPECIFICATION DESCRIPTION	QTY	UNIT
③				
②				
①				

DRAWN BY	DATE: 2015/6/4	DESCRIPTION: 13-23" Tilt/Swivel EAT2-112 UL Listed	
CHECKED BY	SHEET 1 of 1	ITEM NO. 502824	
APPROVED BY	SCALE 1:1	REV. 00	UNIT: mm